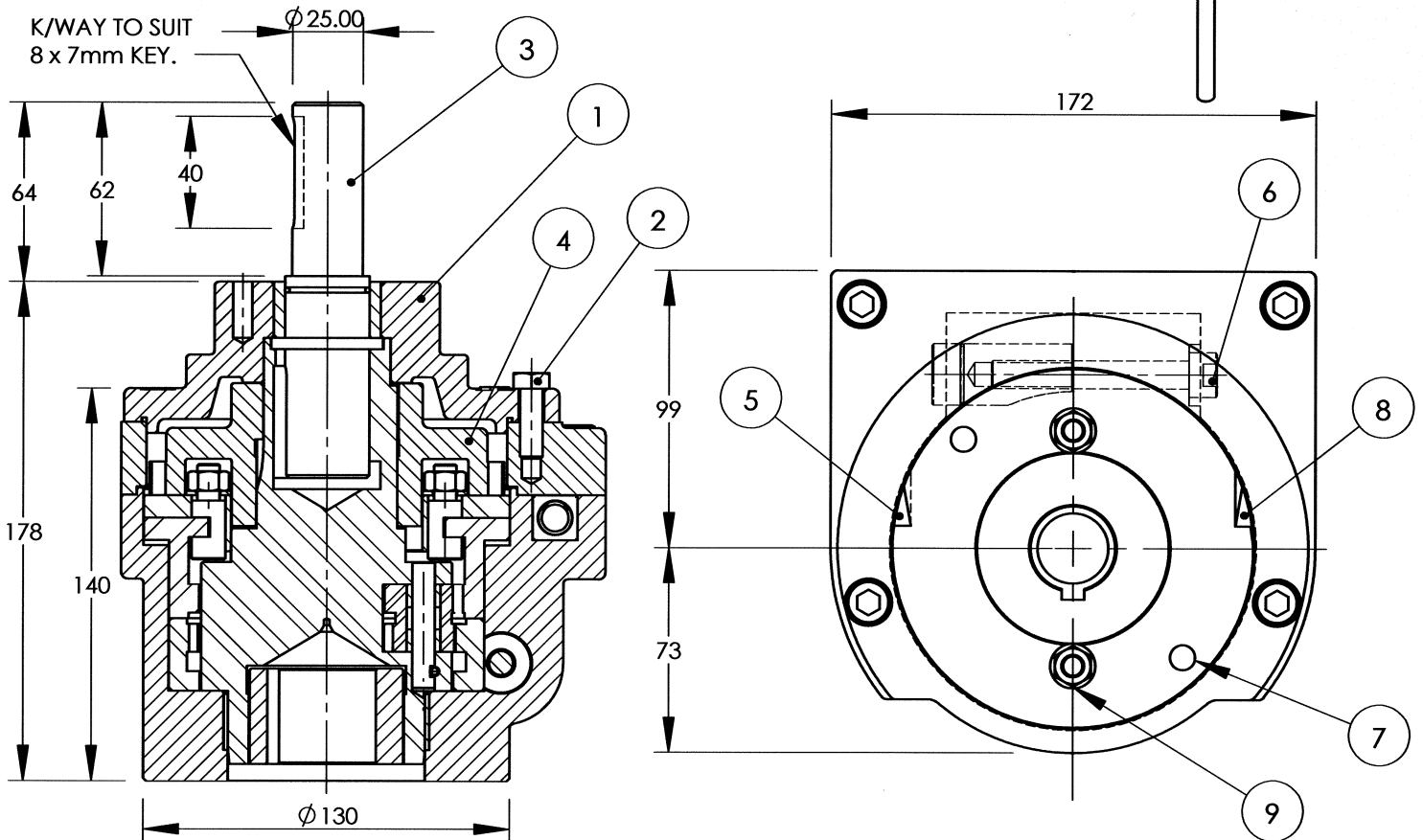


SETTING PROCEDURE

- 1 Remove Bearing Housing (1) by unscrewing 3 Cover Screws (2), while leaving Input Shaft (3) in place.
- 2 Slide off Peg Wheel (4).
- 3 Wind Input Shaft (3) clockwise until valve or other mechanism is against its stops or at the required limit of movement, then back off slightly. (If movement is stopped by the Right Hand Pawl (8), hold the pawl out for 2 revolutions after which it will stay out and continue.)
- 4 Remove the Input Shaft (3). Release Clamp Screw (6) and tap inwards to release the wedge. Check that clamp nuts (9) are done up. Place the Setting Fork in holes (7) and rotate clockwise until stopped by Pawl (5). Tighten Clamp Screw (6).
- 5 Replace the Input Shaft (3) and wind anti-clockwise until the valve or other mechanism is against its stops or at the required limit of movement then back off slightly. (If movement is stopped by the Left Hand Pawl (5), hold the pawl out for 2 revolutions, after which it will stay out and continue.). Remove Input Shaft.



- 6 Release Clamp Nuts (9). Place Setting Fork in holes and rotate anti-clockwise until stopped by Pawl (8). Tighten Clamp Nuts.
NB Do not use excessive force in tightening clamp screw or nuts as they only control the fall of the pawls and do not carry the stopping load.
- 7 Replace Input Shaft, hold Pawl (8) out and wind clockwise for 2 revolutions.
- 8 Replace Peg Wheel and Bearing Housing, making sure that these parts are clean and still lightly greased.